

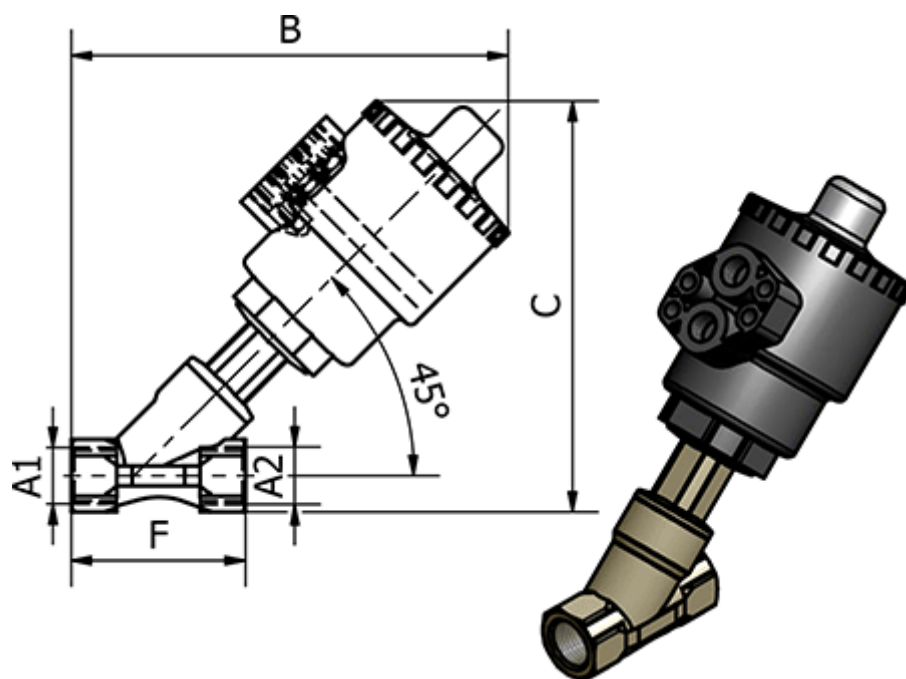
# Data Sheet



Article number: 58636204

Description: Angle-Seat Valve 362.04, G 1" - G 1/8"  
Thread/Thread

## Measures



B	= 206
C	= 196
Connecting A1	= G 1"
Connecting A2	= G 1"
Control Air	= G 1/8"
Control Air	= 4-10 bar
F	= 90
Max. Working Pressure	= 11 bar